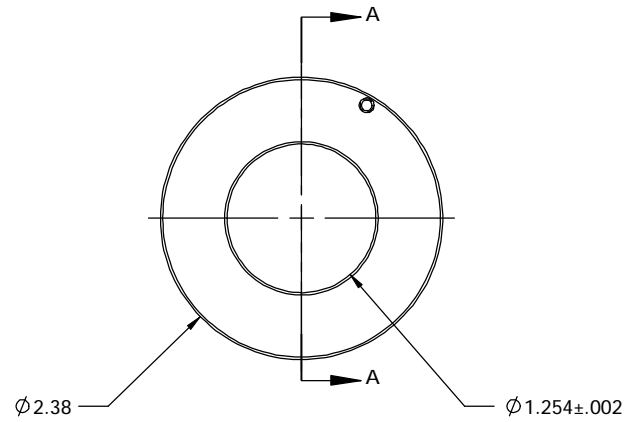
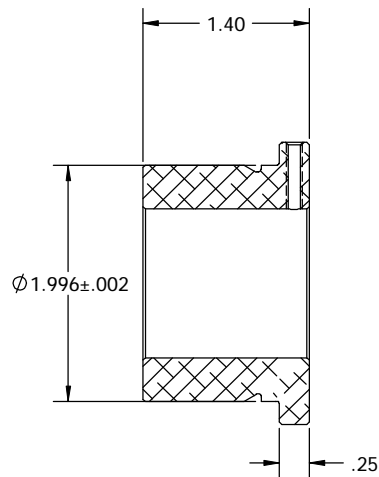
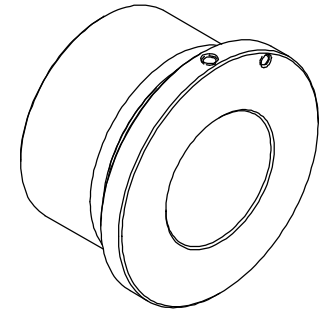


STK. NO. 17662



UNLESS OTHERWISE SPECIFIED: DIMENSIONS ARE IN INCHES TOLERANCES: FRACTIONAL ± ANGULAR: MACH ± BEND ± TWO PLACE DECIMAL ±.007 THREE PLACE DECIMAL ±.003	DRAWN	NAME	DATE	<b>Optec Inc.</b>
	CHECKED	LD	06/15/10	
	ENG APPR.			
	MFG APPR.			
	Q.A.			TITLE:
	CONTRACT			1.25" ADAPTER
MATERIAL	6061-T6			SIZE
FINISH	FROSTKOTE BRIGHT DIP BLACK			DWG. NO.
DO NOT SCALE DRAWING	2-INCH ADAPTERS			<b>B</b> <b>17-06607</b>
	SCALE: 1:1	WEIGHT:	SHEET 1 OF 1	

