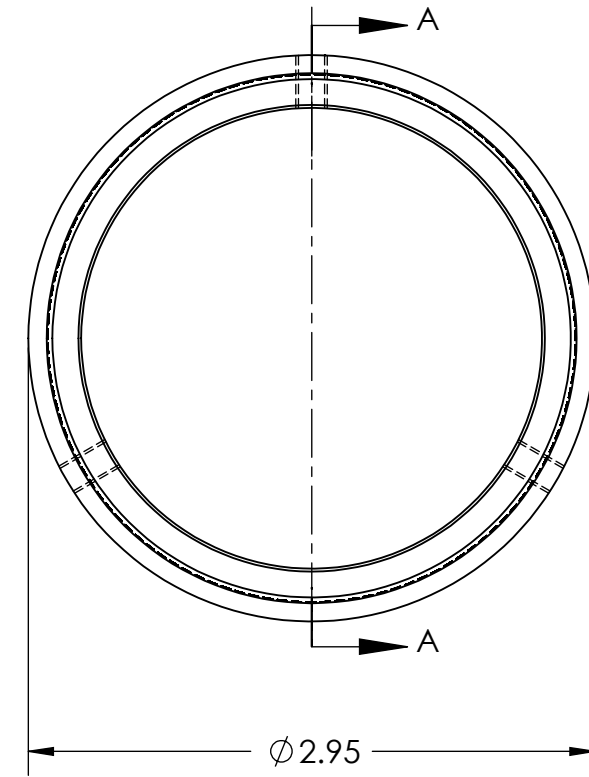
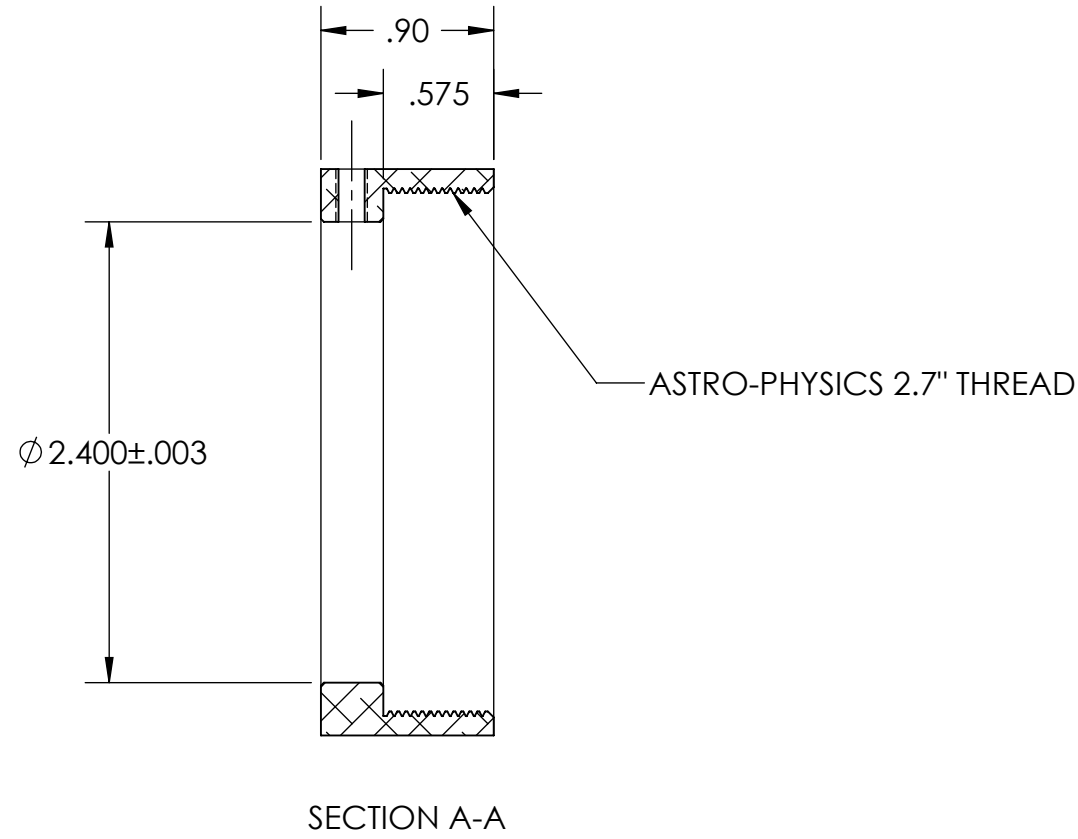


PN 4916  
 STK. NO. 17658



|  |                               |         |          |                        |                 |                                |
|--|-------------------------------|---------|----------|------------------------|-----------------|--------------------------------|
| UNLESS OTHERWISE SPECIFIED:<br>DIMENSIONS ARE IN INCHES<br>TOLERANCES:<br>FRACTIONAL $\pm$<br>ANGULAR: MACH $\pm$ BEND $\pm$<br>TWO PLACE DECIMAL $\pm .007$<br>THREE PLACE DECIMAL $\pm .003$ | DRAWN                         | LD      | 04/28/09 | <b>Optec, Inc.</b>     |                 |                                |
|  | CHECKED                       |         |          |                        |                 | TITLE:<br>AP 2.7" FEMALE MOUNT |
|  | ENG APPR.                     |         |          | SIZE                   | DWG. NO.        |                                |
|  | MFG APPR.                     |         |          | <b>B</b>               | <b>17-06334</b> |                                |
|  | Q.A.                          |         |          | SCALE: 1:1             | WEIGHT:         | SHEET 1 OF 1                   |
| THIRD ANGLE PROJECTION<br>   | MATERIAL                      | 6061-T6 |          | CONTRACT<br>OPTEC 2400 |                 |                                |
| FINISH   | FROSTKOTE BRIGHT<br>DIP BLACK |         |          |                        |                 |                                |
| DO NOT SCALE DRAWING   |                               |         |          |                        |                 |                                |