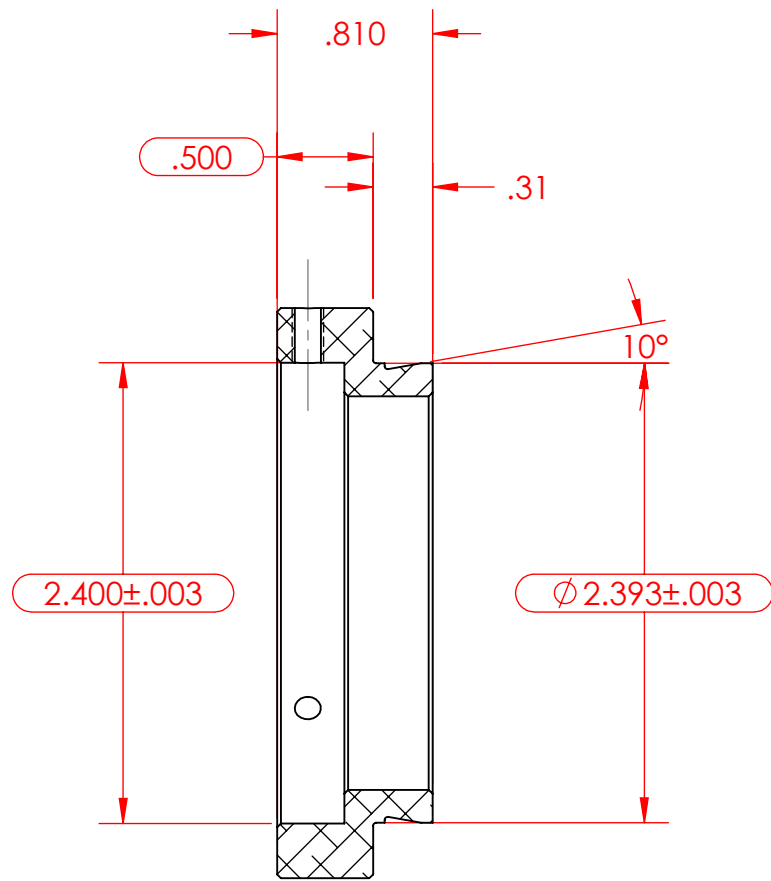
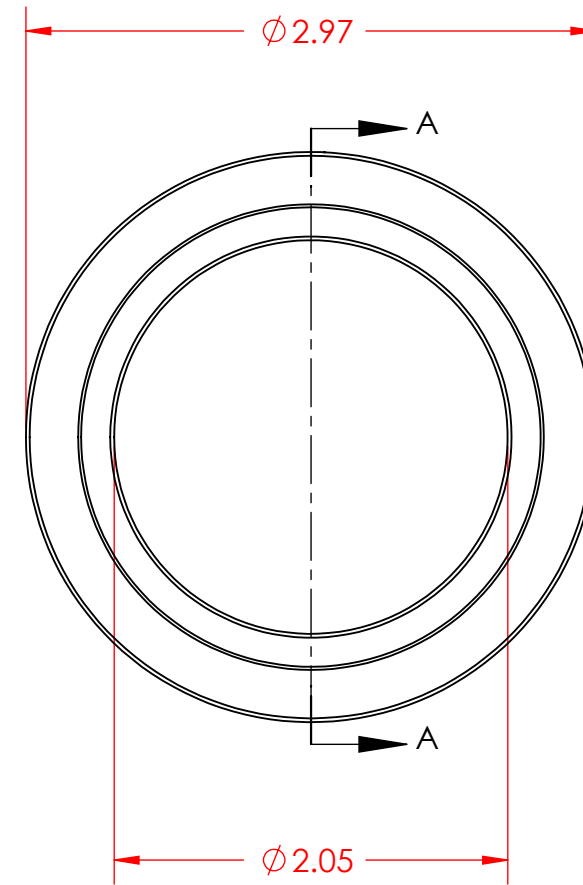


PN 4910
 STK. NO. 17653



SECTION A-A



UNLESS OTHERWISE SPECIFIED: DIMENSIONS ARE IN INCHES TOLERANCES: FRACTIONAL ± ANGULAR: MACH ± BEND ± TWO PLACE DECIMAL ±.007 THREE PLACE DECIMAL ±.003	DRAWN	NAME	DATE	Optec, Inc.
	CHECKED	LD	04/13/09	
	ENG APPR.			
	MFG APPR.			
MATERIAL	CONTRACT			TITLE: OPTEC 2400 .5" EXTENDER
6061-T6	OPTEC 2400			
FINISH	DO NOT SCALE DRAWING	SIZE	DWG. NO.	SHEET 1 OF 1
FROSTKOTE BRIGHT DIP BLACK		B	17-06331	
		SCALE: 1:1	WEIGHT:	

