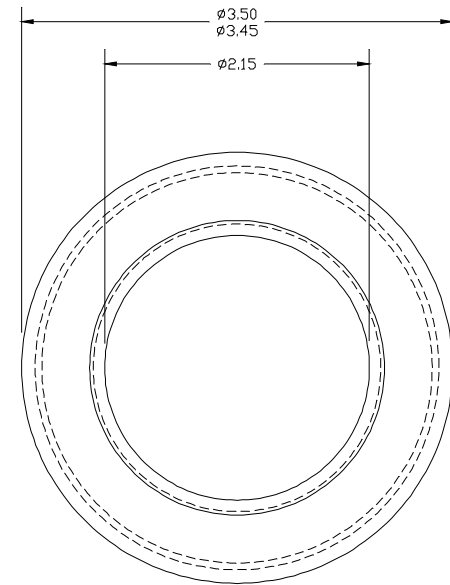
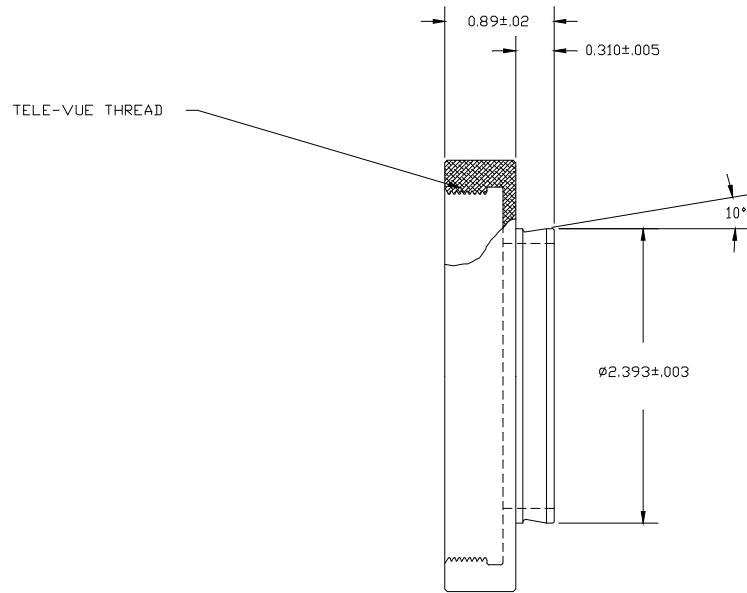


PN4419  
 STK# 17652



TOLERANCE XX ±.007.XXX ± .003	CONTRACT OPTEC-2400	<i>OPTEC, Inc.</i>	
MATERIAL 6061	REVISION 11/16/2004 6/8/06 6/22/07		
FINISH BRIGHT DIP BLACK ANODIZE		SCALE: 1X	NO: 17-06327