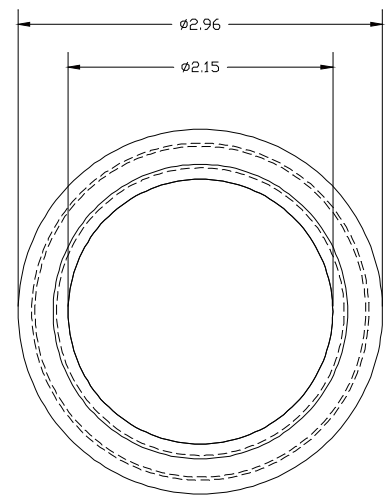
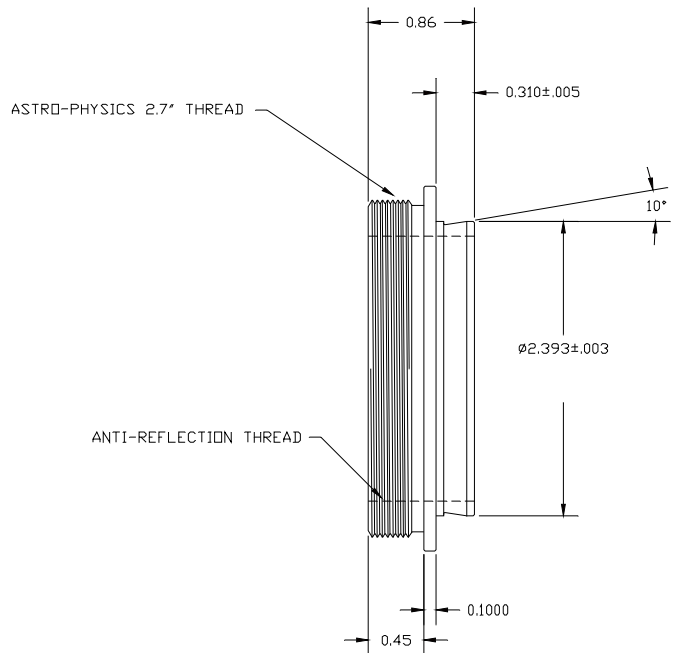


PN3859
 STK. NO. 17458



TOLERANCE XX ±.007.XXX ± .003	CONTRACT TCF-S/IFW TELESCOPE ADAPTERS	<i>OPTEC, Inc.</i>	
MATERIAL 6262 T9	REVISION 11/17/99 6/22/07	ASTRO-PHYSICS 2.7" THRD. TELESCOPE MOUNT	
FINISH BRIGHT DIP BLACK ANODIZE		SCALE: 1X	NO: 17-06321