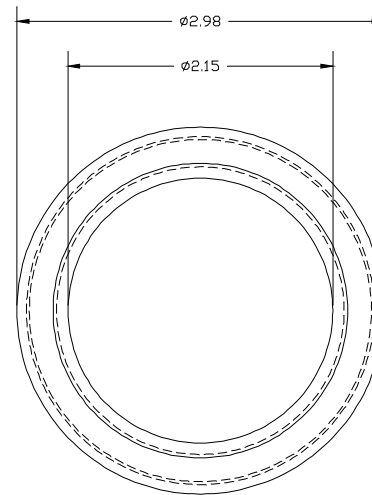
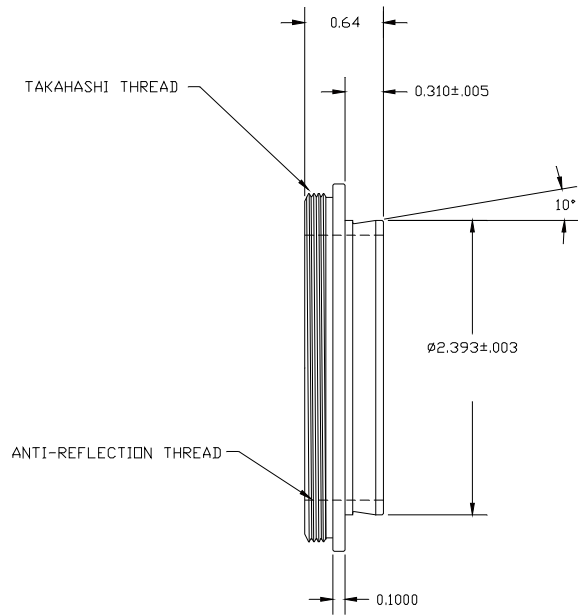


PN3915
 STK# 17453



TOLERANCE .XX ±.007.XXX ±.003	CONTRACT OPT-2400	<i>OPTEC, Inc.</i>	
MATERIAL 6061 T6	REVISION 5/16/00 6/8/06 6/22/07		
FINISH BRIGHT DIP BLACK ANODIZE		SCALE: 1X	NO: 17-06324